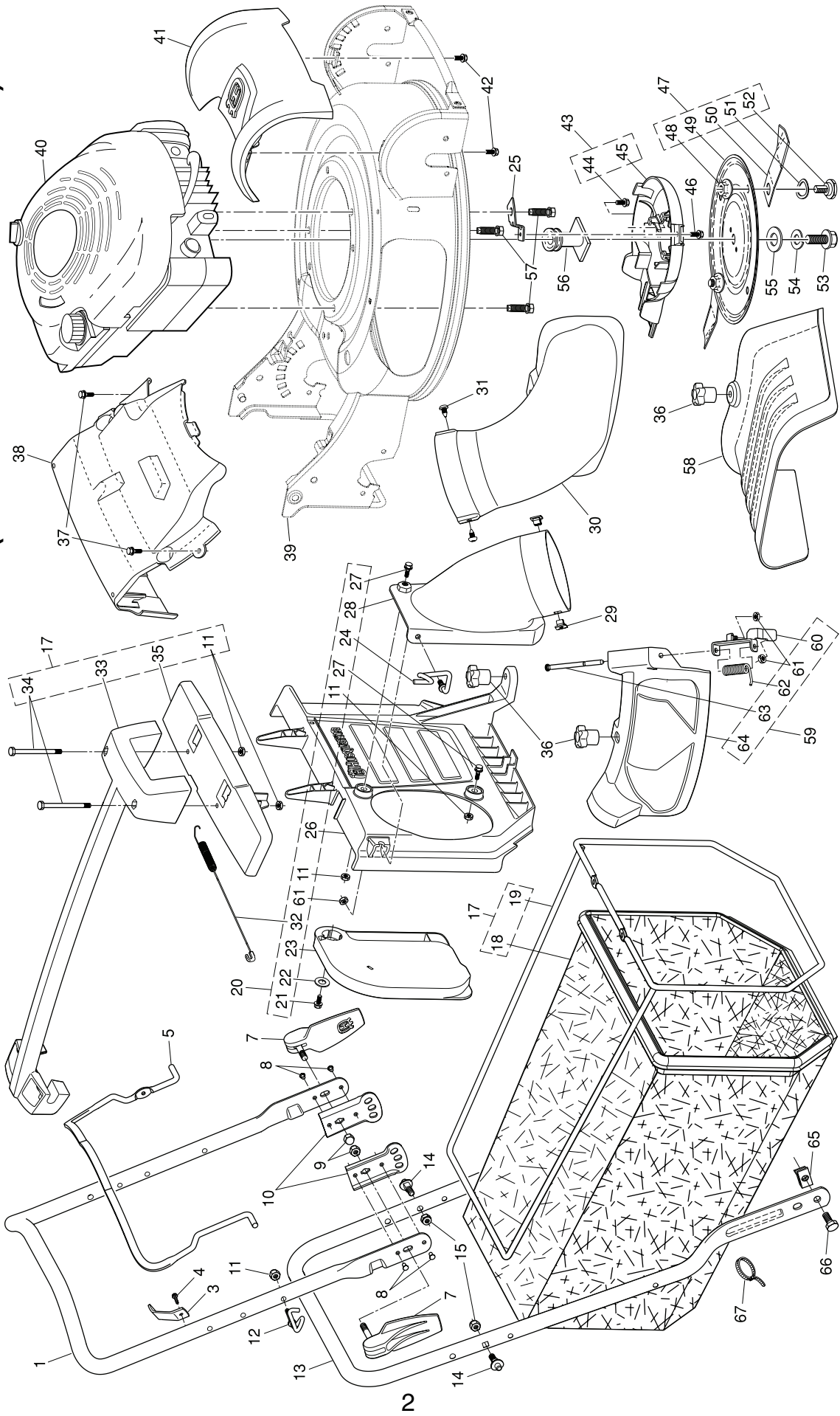


# **ILLUSTRATED PARTS LIST**

**MODEL NUMBER R145SP**

**MFG. ID. NUMBER 96141013100**

**ROTARY LAWN MOWER -- MODEL NUMBER R145SP (MFG. ID. NUMBER 96141013100)**



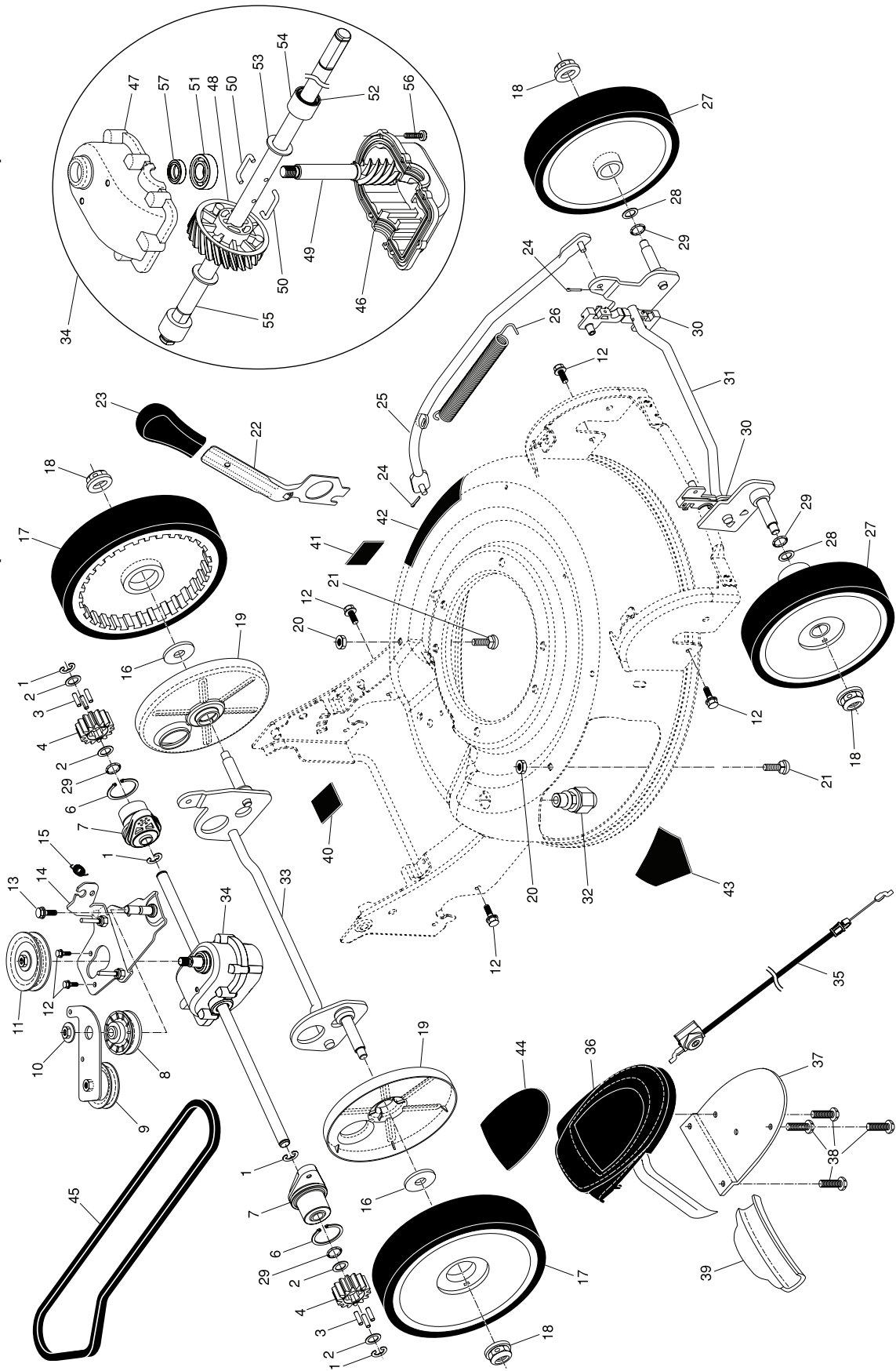
**ROTARY LAWN MOWER - - MODEL NUMBER R145SP (MFG. ID. NUMBER 96141013100)**

KEY NO.	PART NO.	DESCRIPTION	KEY NO.	PART NO.	DESCRIPTION	KEY NO.	PART NO.	DESCRIPTION
1	532 19 98-87	Upper Handle	26	532 41 35-09	Rear Door	45	532 41 35-15	Debris Shield
3	532 12 52-03	Upstop Bracket	27	532 18 35-18	Bolt, Shoulder 5/16	46	532 19 23-25	Screw, Hex Washer Head
4	532 75 06-34	Screw, Threaded, Rolled #10-24 x 1/2	28	532 41 35-10	Upper Chute	47	532 19 92-43	Blade / Disc Assembly
5	532 18 62-98	Control Bar	29	532 19 97-27	Grommet 1/4	48	532 40 02-44	Nut, Hex, Flanged
7	532 41 35-07	Quick Release Assembly	30	532 41 35-11	Lower Chute	49	532 41 35-16	Disc, Blade
8	532 19 96-97	Rivet	31	532 19 98-55	Screw, T-30 1/4-20 x 1/2	50	532 19 95-37	Blade
9	532 40 04-13	Nut, Acorn	32	532 40 14-02	Spring, Rear Door	51	532 40 02-45	Washer, Spring
10	532 41 35-34	Bracket, Quick Release	33	532 41 35-36	Handle, Grass Catcher	52	532 40 02-43	Bolt, Shoulder, "D"
11	532 13 20-04	Nut, Hex, Zinc-Plated, Black 1/4-20	34	871 09 04-48	Screw 1/4-20 x 3	53	532 19 17-60	Bolt, Hex Head 3/8-24 x 2-1/2
12	532 19 47-88	Rope Guide, Upper Handle	35	532 41 35-12	Adapter, Grass Catcher	54	532 85 02-63	Washer, Helical
13	532 41 35-35	Lower Handle	36	532 18 34-47	Knob	55	532 85 10-74	Washer, Hardened
14	532 19 92-55	Stud, Adjustment	37	532 19 94-22	Screw, Hex Washer Head 1/4-20 x 1/2	56	532 18 67-66	Blade Adapter / Pulley
15	532 75 11-53	Nut, Hex 5/16-18	38	532 41 35-13	Drive Cover	57	532 15 04-06	Bolt, Engine, Dogpoint 3/8-16
17	532 40 01-36	Grass Catcher Assembly	39	532 40 93-06	Lawn Mower Housing	58	532 41 35-17	Discharge Guard
18	532 19 92-73	Grass Bag	40	- - -	Engine, Briggs & Stratton, Model Number 128802	59	532 40 93-14	Mulcher Door Assembly
19	532 19 92-78	Frame, Grass Bag	41	532 41 35-14	(Order parts from Engine manufacturer)	60	532 19 92-68	Hinge Bracket Assembly
20	532 40 01-35	Chute Assembly	42	532 19 41-89	Front Cover	61	532 19 17-30	Nut, Hex, Flangelock 1/4-20
21	532 16 34-09	Screw, Hi-Lo Thread 1/8 x 5/8	43	532 40 12-16	Debris Shield Assembly	62	532 18 34-46	Spring, Mulcher Door
22	532 05 38-47	Washer, Flat 1/4	44	532 08 86-52	Screw, Hinge 1/4-20 x 1/2	63	532 18 34-45	Rod, Hinge
23	532 41 35-08	Chute, Rear Door	45	532 40 40-08	Speed Nut	64	532 41 35-18	Mulcher Door
24	532 40 86-52	Rope Guide, Rear Door	46	532 85 09-99	Bolt, Hex Head 3/8-16 x 1-1/4	65	532 40 40-08	Speed Nut
25	532 19 09-39	Bracket, Debris Shield	47	532 06 64-26	Wire Tie	66	532 06 64-26	Wire Tie
						--	532 40 85-67	Manual, Oper, Euro
						--	532 40 85-68	Manual, Oper, Scan

**NOTE:** All component dimensions given in U.S. inches. 1 inch = 25.4 mm.

**IMPORTANT:** Use only Original Equipment Manufacturer (O.E.M.) replacement parts. Failure to do so could be hazardous, damage your lawn mower and void your warranty.

**ROTARY LAWN MOWER -- MODEL NUMBER R145SP (MFG. ID. NUMBER 96141013100)**



**ROTARY LAWN MOWER - - MODEL NUMBER R145SP (MFG. ID. NUMBER 96141013100)**

KEY NO.	PART NO.	DESCRIPTION	KEY NO.	PART NO.	DESCRIPTION	KEY NO.	PART NO.	DESCRIPTION
1	812 00 00-58	E-Ring	20	873 51 04-00	Locknut 1/4-20	40	532 19 97-31	Decal, Noise Level
2	532 05 21-60	Washer, Flat	21	872 11 04-07	Bolt, Carriage	41	532 15 97-36	Decal, Hot Muffler
3	532 17 00-11	Pawl	22	532 41 35-19	Height Adjustment Lever	42	532 19 99-12	Decal, Warning
4	532 16 64-50	Gear, Pinion	23	532 19 92-69	Knob, Height Adjustment Lever	43	532 18 21-66	Decal, Danger
6	812 00 00-12	Ring, Retaining	24	532 70 02-79	Pin, Cotter	44	532 18 93-78	Decal, Drive Control
7	532 40 01-34	Bearing, Drive	25	532 19 93-10	Rod, Height Adjustment	45	532 19 92-25	V-Belt
8	532 19 37-91	Pulley, Idler	26	532 40 96-16	Spring	46	532 18 75-30	Case, Lower
9	532 40 11-88	Idler Bracket / Pulley Assembly	27	532 41 08-31	Wheel & Tire Assembly, Front	47	532 19 12-45	Case, Upper
10	532 14 52-12	Locknut	28	532 08 83-48	Washer, Flat	48	532 18 75-32	Gear, 24 Teeth
11	532 19 34-43	Drive Pulley	29	532 19 74-80	O-Ring	49	532 40 30-91	Shaft, Worm
12	532 16 34-09	Screw, Hi-Lo Thread 1/8 x 5/8	30	532 41 35-20	Bearing Assembly, Front Axle	50	532 18 35-05	Wireform
13	817 06 04-10	Screw, Hex Washer Head 1/4-20 x 1/16	31	532 41 35-21	Axle Assembly, Front	51	532 18 35-06	Bearing, Ball
14	532 40 11-13	Belt Guide Bracket Assembly	32	532 40 00-94	Fitting, Quick Release	52	532 18 35-08	Seal, Output Shaft
15	532 19 41-24	Spring, Return	33	532 41 35-22	Axle Assembly, Rear	53	532 18 35-09	Washer
16	532 06 77-25	Washer, Flat 3/8	34	532 19 92-31	Gear Case Assembly, Complete	54	532 18 35-11	Bushing
17	532 41 10-81	Wheel & Tire Assembly, Rear, Driven	35	532 19 77-40	Cable, Operator Presence	55	532 40 30-92	Shaft, Output
18	532 08 39-23	Nut, Hex	36	532 40 15-51	Drive Control Assembly	56	532 18 35-13	Screw
19	532 18 94-03	Dust Cover	37	532 40 07-23	Plate, Rear, Drive Control	57	532 18 35-14	Seal, Worm Shaft
			38	532 18 16-98	Screw #8 x 1/16			
			39	532 18 62-97	Cap, Drive Control			

**IMPORTANT:** Use only Original Equipment Manufacturer (O.E.M.) replacement parts. Failure to do so could be hazardous, damage your lawn mower and void your warranty.

**NOTE:** All component dimensions given in U.S. inches. 1 inch = 25.4 mm.